

GENERAL SPECIFICATIONS:

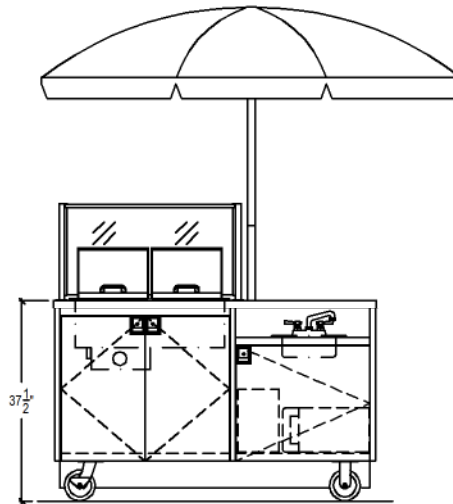
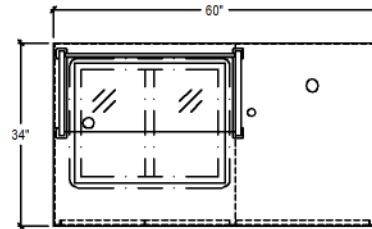
- 16 Gauge #304 Stainless Steel Countertop
- 6" Casters, Two (2) Rigid and Two (2) Swivel with Brakes
- Black Rubber Caster Skirt on Three (3) Sides
- Hand Sink with Removable Water Tanks
- Locking Storage Compartment
- Stainless Steel Sneeze-guard
- Stainless Steel Roll Dome Covers
- 6' Umbrella

OPTIONS:

- Vinyl Bumper
- Drop Shelf
- Custom Exterior Panels (Laminate, Graphics, Powdercoat, Etc.)
- Cart Cover
- Propane

EQUIPMENT:

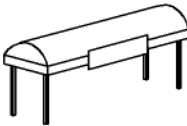
- 2-Pan Steam Well



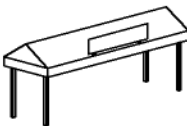
AWNING TYPES:



- The Arch



- The Barrel



- The A-Frame



- The Halo



- The Square

