

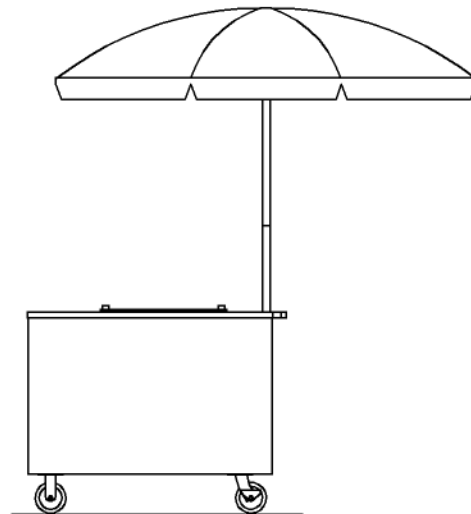
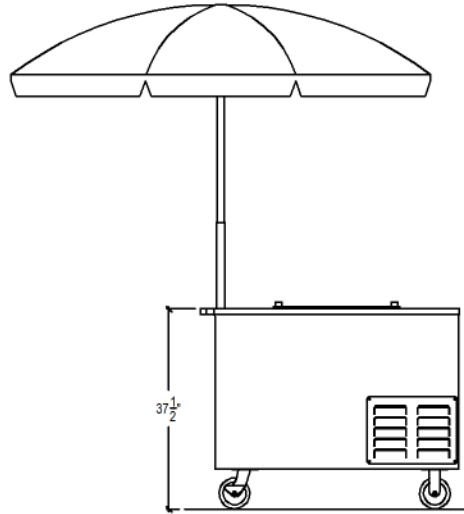
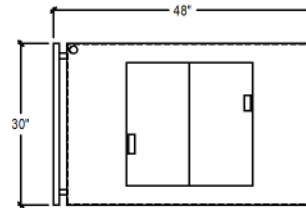
GENERAL SPECIFICATIONS:

- 16 Gauge #304 Stainless Steel Countertop
- 6" Casters, Two (2) Rigid and Two (2) Swivel with Brakes
- Built-In Freezer with Rechargeable Cold Plates
- Bi-Fold Lid
- Stainless Steel Push Bar
- 6' Diameter Umbrella

OPTIONS:

- Vinyl Bumper
- Drop Shelf
- Custom Exterior Panels (Laminate, Graphics, Powdercoat, Etc.)
- Cart Cover

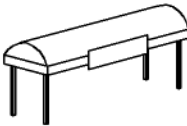
EQUIPMENT:



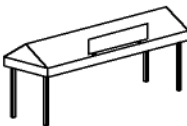
AWNING TYPES:



- The Arch



- The Barrel



- The A-Frame



- The Halo



- The Square